



Honda CRF 250R (2004, 2005)
Honda CRF 250X (2005)
Honda CRE 250X (2005)

Slip-On Exhaust System

Akrapovic Slip-On Exhaust System

for the Honda CRF 250R (2004, 2005), CRF 250X (2005), CRE 250X (2005)

As a base-level tuning component, the Akrapovic SLIP-ON system is designed mainly for recreational Enduro/MX riders. It is a balanced combination of price, performance, high-quality materials and top-quality production. For the European market system conforms to FIM Enduro regulations for exhaust system noise levels. It comes with a 94 dB noise damper which can be exchanged with a 98 dB FIM Enduro noise damper, so it can be used by MX riders as well. For the American market system has an approved spark arrester.

PERFORMANCE

Measurements of the Akrapovic SLIP-ON system on the HONDA CRE 250 X (without muffler insert):

Power & Torque: the Akrapovic SLIP-ON system performs its function as a base-level tuning component very well. It offers the greatest increase in the middle of the rpm range, with an increase at the top of the range and in the overrev range, which is usually the domain of Evolution systems.

CONFIGURATION

The Akrapovic SLIP-ON system for the Honda CRE is composed of a titanium muffler welded to a stainless steel link pipe. At the other end the link pipe is attached to the header assembly with a sleeve joint held together with a metal clamp. The muffler is attached to the bike with an Akrapovic carbon-fiber offroad clamp. The muffler comes with a titanium outer sleeve and includes a 94 dB noise damper which conforms to FIM Enduro regulations with regard to exhaust system noise levels. For the American market the system comes with a spark arrester.

OPTIONS

A 98 dB FIM MX noise damper is also available.

	PERFORMANCE		
	stock	AKRAPOVIC	max. increased power
max. rear wheel power HP / rpm (measured on SuperFlow Cycle Dyn)	27.6 / 9100	28.2 / 9350	2.5 / 6000

	CONFIGURATION		
	header tubes	collector	link pipe
material	-	-	STAINLESS STEEL
tube shape	-	-	FLARED

interference crossover tubes	-	lambda sensor	-
header tube inner sleeves	-	header tube flanges	-
header tubes - collector connection	-	collector / header tube - link pipe connection	SLEEVE JOINT + METAL CLAMP
link pipe - muffler connection	WELDED	muffler inlet cap / outlet cap	STAINLESS STEEL / TITANIUM
muffler metal interior	STAINLESS STEEL	muffler outer sleeve	TITANIUM
muffler clamp	CARBON-FIBER OFF ROAD	muffler bracket	-
muffler insert	FIM ENDURO 94 dB (EU market) SPARK ARRESTER (US market)	heat shield	-

OPTIONS				
link pipe	muffler insert	muffler outer sleeve	muffler bracket	heat shield
-	FIM MX 98 dB	-	-	-

	ADDITIONAL DATA				
	stock	AKRAPOVIC		difference	
		S.S. link pipe	TITANIUM link pipe	stock - S.S.	stock - titanium
weight comparison (kg)	3.25	2.08	-	1.17	-
noise measurements (dB / rpm)	stock		AKRAPOVIC		
	88.1 / 3750		95.4 / 3750 89.3 / 3750 (noise damper)		
possibility of periodic service without removing A.E.S.	oil		oil filter		
	YES		YES		
legal for street use	NO				

Technical specifications of Akrapovic exhaust systems and related products subject to change without notice.

Product code: 102537 (S-H2SO1-MT)
103998 (S-H2SO1-MTA) spark arrester (US market)

Akrapovic Slip-On Exhaust System

for the Honda CRF 250R (2004, 2005), CRF 250X (2005), CRE 250X (2005)



CARBON-FIBER
MUFFLER CLAMP

Off-Road
Program

Product code: 102537 (S-H2SO1-MT)
103998 (S-H2SO1-MTA) spark arrester (US market)

Akrapovic Slip-On Exhaust System

for the Honda CRF 250R (2004, 2005), CRF 250X (2005), CRE 250X (2005)



Akrapovic Exhaust System Technology copyright 2005, all rights reserved

Off-Road
Program

Product code: 102537 (S-H2SO1-MT)
103998 (S-H2SO1-MTA) spark arrester (US market)

Akrapovic Slip-On Exhaust System

for the Honda CRF 250R (2004, 2005), CRF 250X (2005), CRE 250X (2005)



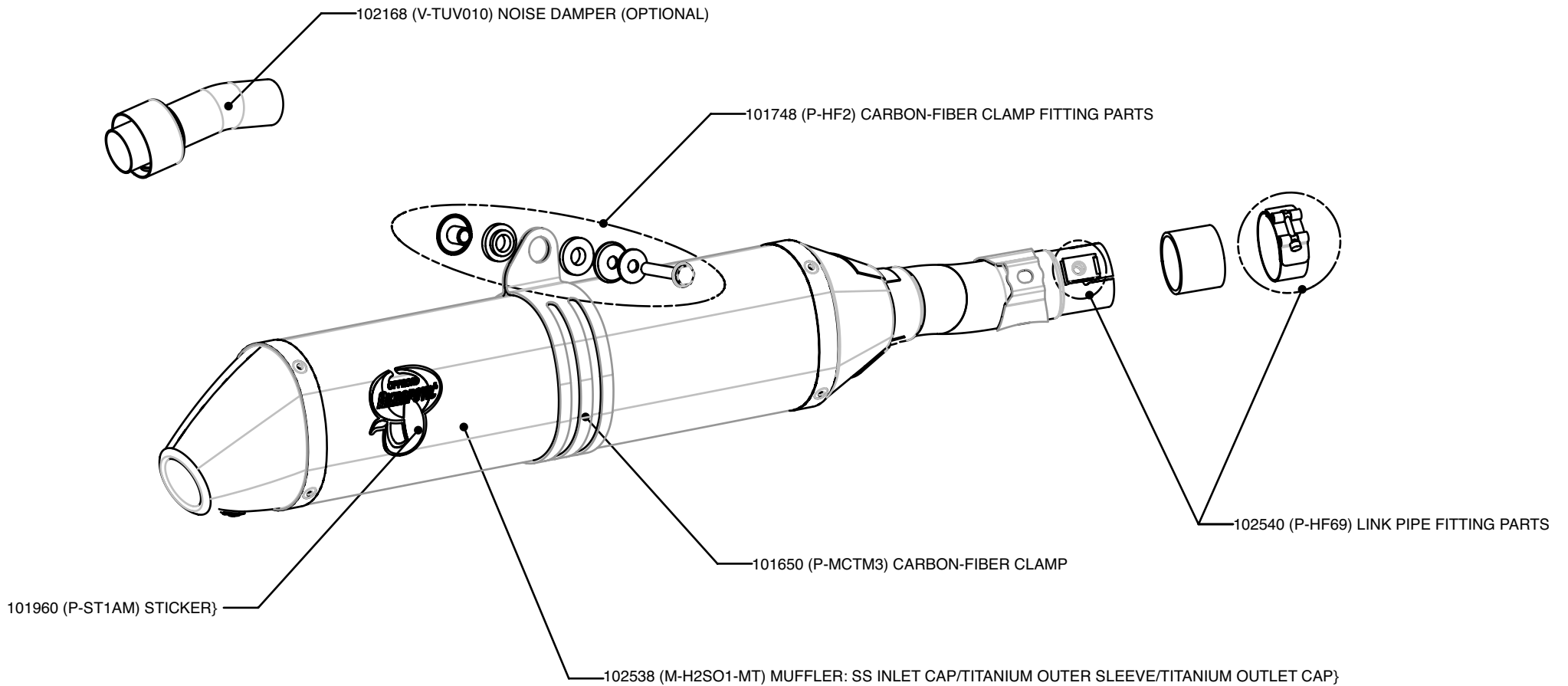
Akrapovic Exhaust System Technology copyright 2005, all rights reserved

Off-Road Program

Product code: 102537 (S-H2SO1-MT)
103998 (S-H2SO1-MTA) spark arrester (US market)

Akrapovic Slip-On Exhaust System

for the Honda CRF 250R (2004, 2005), CRF 250X (2005), CRE 250X (2005)

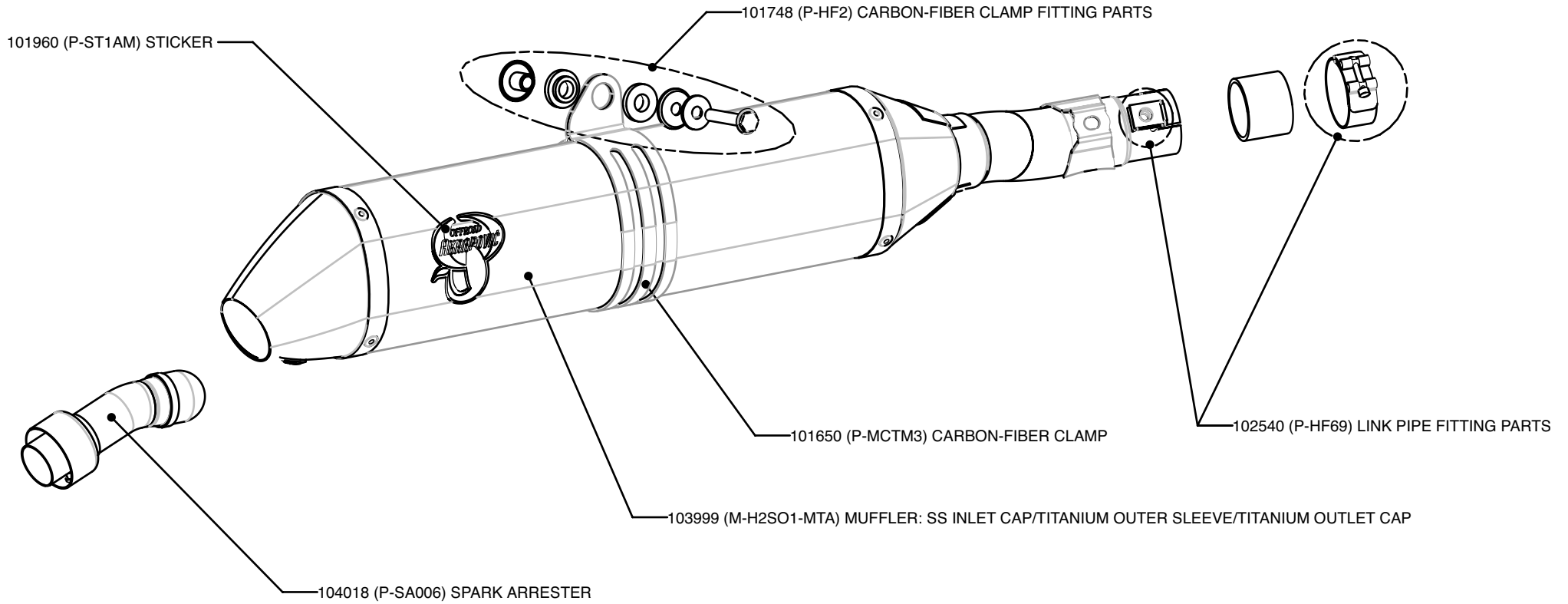


Off-Road Program

Product code: 102537 (S-H2SO1-MT)
103998 (S-H2SO1-MTA) spark arrester (US market)

Akrapovic Slip-On Exhaust System

for the Honda CRF 250R (2004, 2005), CRF 250X (2005), CRE 250X (2005)



Off-Road Program

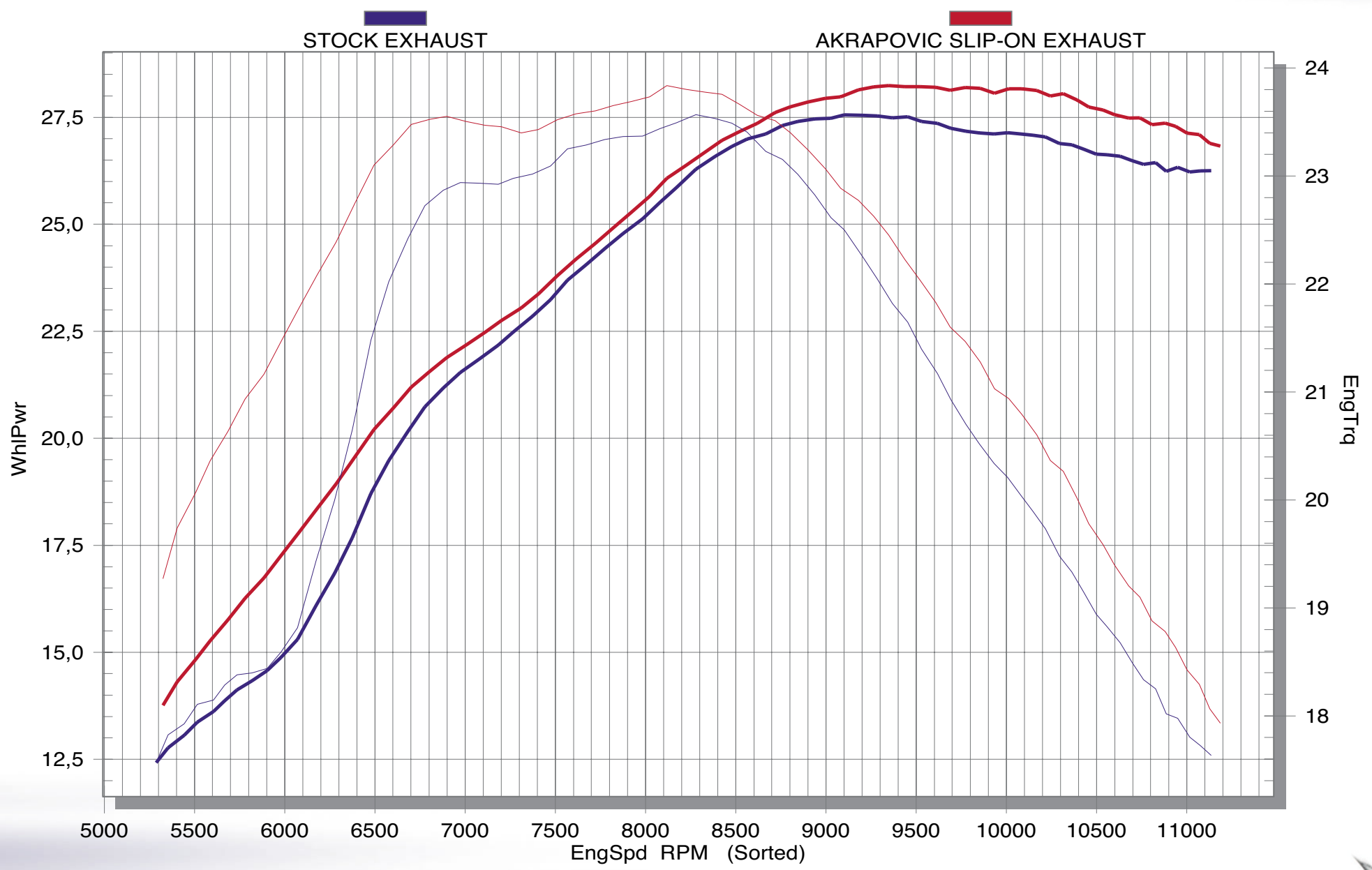
Product code: 102537 (S-H2SO1-MT)
103998 (S-H2SO1-MTA) spark arrester (US market)



Akrapovic Exhaust System Technology copyright 2005, all rights reserved

Akrapovic Slip-On Exhaust System

for the Honda CRF 250R (2004, 2005), CRF 250X (2005), CRE 250X (2005)



Off-Road Program

Product code: 102537 (S-H2SO1-MT)
103998 (S-H2SO1-MTA) spark arrester (US market)



Akrapovic Exhaust System Technology copyright 2005, all rights reserved